



# #10-32 SHUTTLE VALVES

## Shuttle Valves

There are three models of shuttle valves offered by Clippard. These valves feature a shuttle that allows flow from one inlet to the outlet while blocking the other inlet. They may be mounted directly to valves and cylinders or in-line using the hose barbs on the MSV models.

Poppet type shuttle (double check) valve. Brass body, and poppet, Buna-N seal



**Medium:** Air, Water or Oil

**Input Pressure:** 250 psig/17.5 bar max.

**Air Flow:** 5.0 scfm @ 50 psig; 9.5 scfm @ 100 psig; 230 l/min @ 6 bar

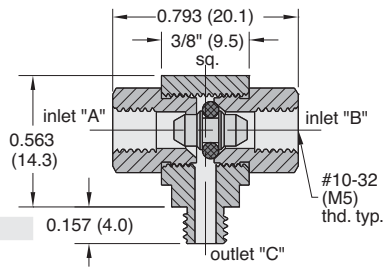
**Mounting:** Direct or in-line

**Operation:** Flow from "A" to "C" or "B" to "C"

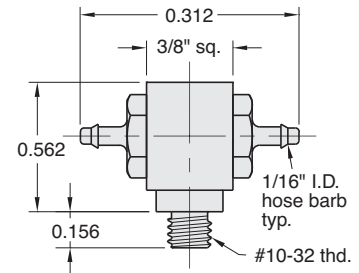
**Pressure to Shift:** 1/2 psig approx.

**Exhaust:** Through port where pressure was last applied

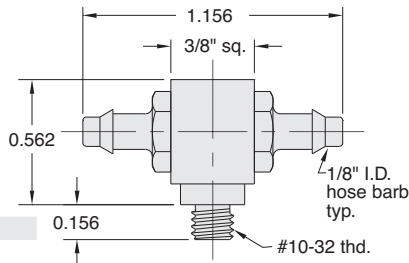
**Note:** Shuttle valves should not be used as a pressure selector



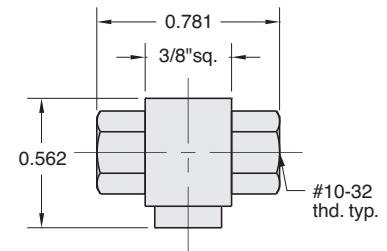
**Part No.**  
MSV-1  
MSV-1-M5



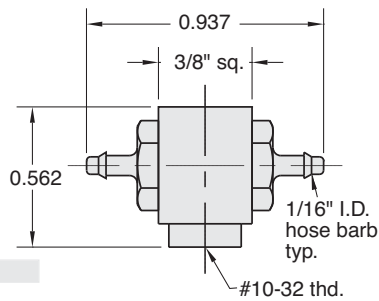
**Part No.**  
MSV-1M22



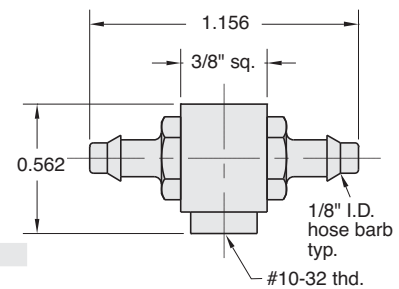
**Part No.**  
MSV-1M44



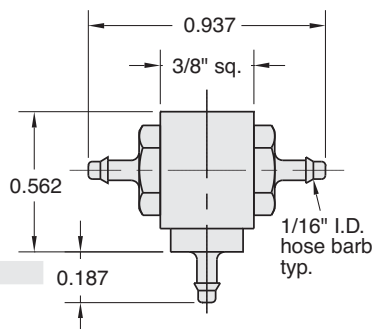
**Part No.**  
MSV-1FFF



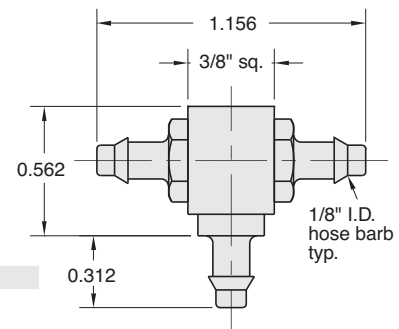
**Part No.**  
MSV-1F22



**Part No.**  
MSV-1F44



**Part No.**  
MSV-1222



**Part No.**  
MSV-1444